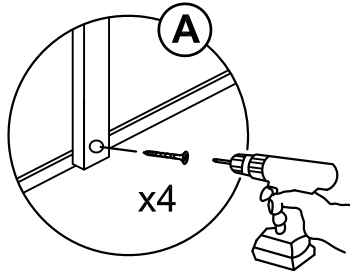
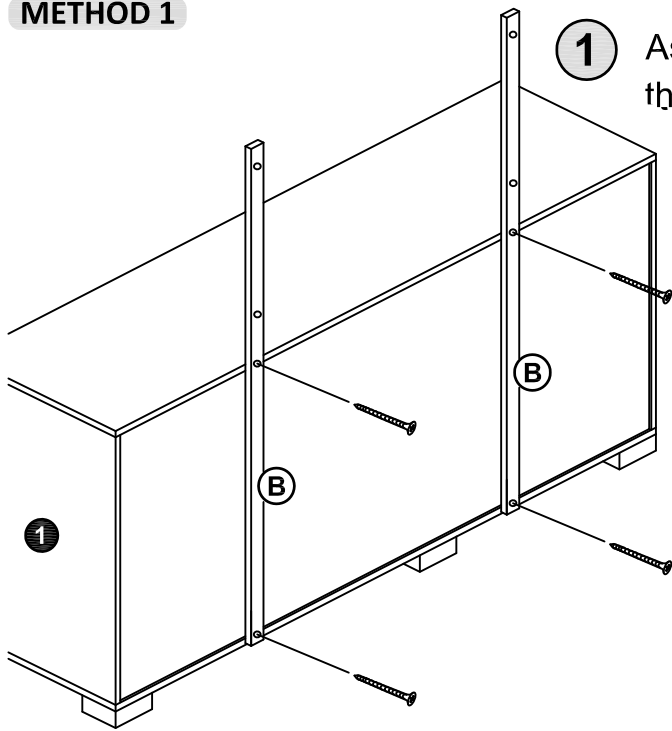


METHOD 1

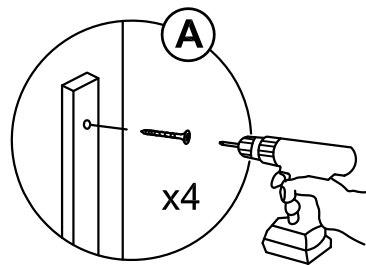
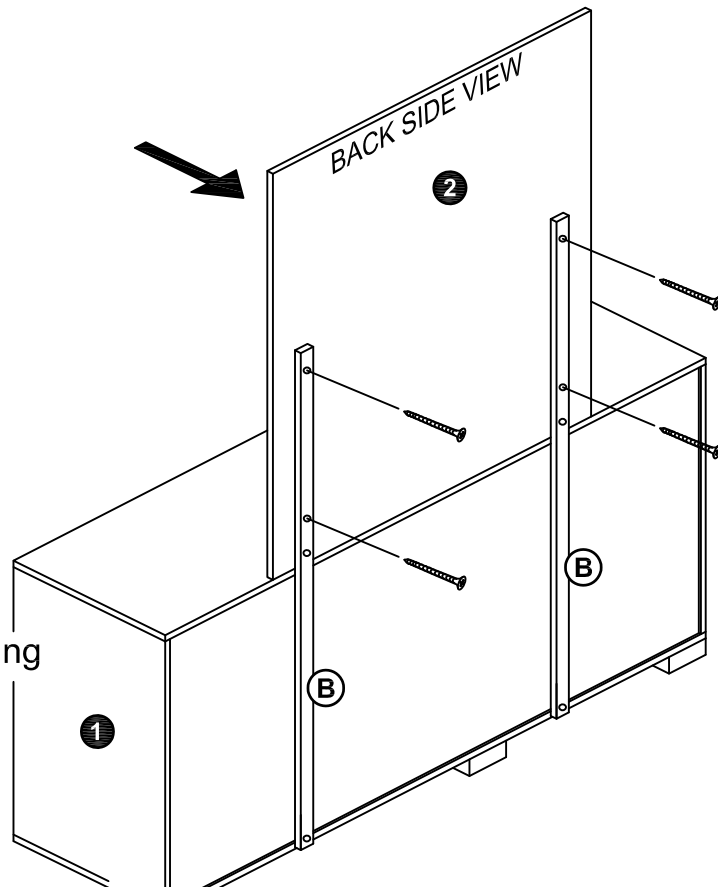
1 Assemble the crosspieces on the dresser using the screws:

- 1 screw in the top
- 1 screw in the bottom

IMPORTANT
ASSEMBLING THIS
UNIT NEEDS
MINIMUM 2 PEOPLE



2 Assemble the mirror using the screws on the back



VOLARE

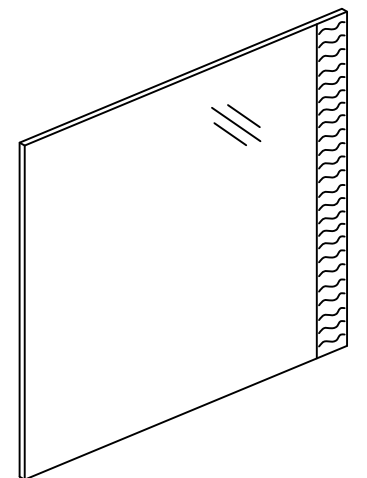
LEGEND

- 1** Dresser
- 2** Mirror

FITTINGS CHECK LIST

A Screws $\varnothing 3,5$ L35 (8)

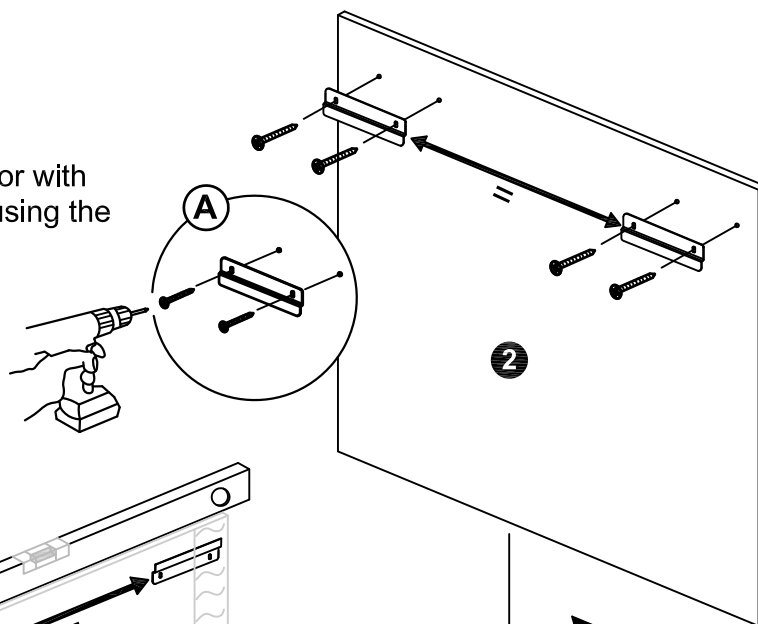
B Crosspieces (2)



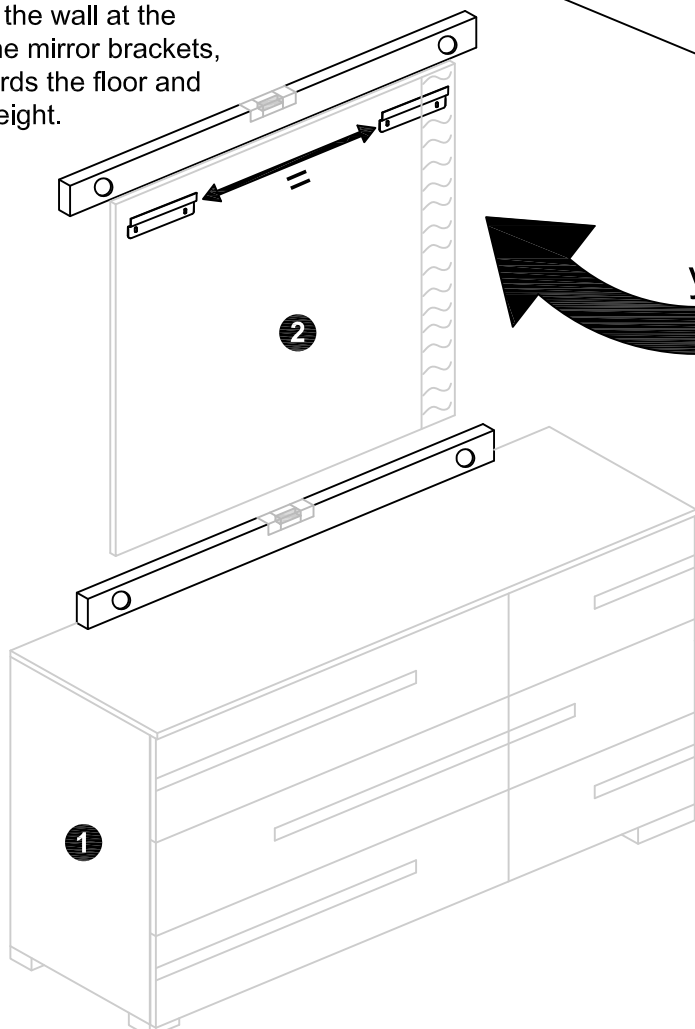
Tipologia	VOLARE Bedroom
Codice	VOBBLSP01 - VOBNOSP01
Project	Mirror

METHOD 2

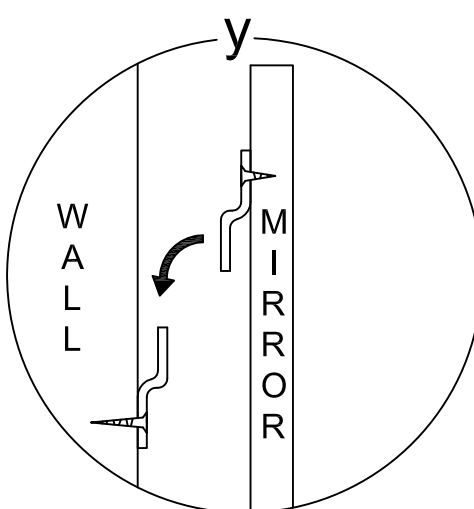
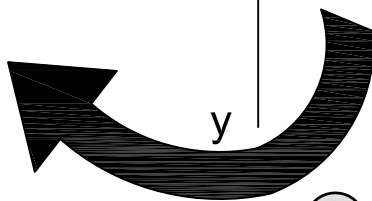
1 Fix the brackets on the mirror with the holes towards the top, using the provided screws



2 Fix the brackets on the wall at the same distance of the mirror brackets, with the holes towards the floor and at the appropriate height.



3 Hang the mirror on the wall as per the (y) image



VOLARE

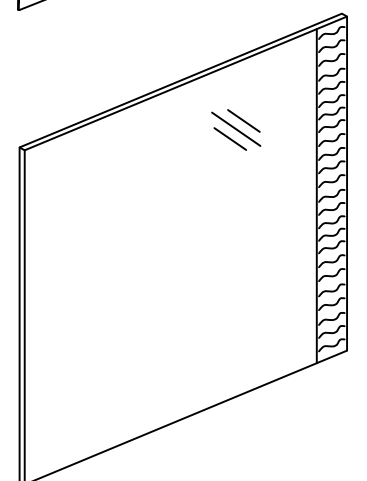
LEGEND

- 1** Dresser
- 2** Mirror

FITTINGS CHECK LIST

A Screws (4)

B Brackets (4)



Tipologia	VOLARE Bedroom
Codice	VOBBLSP01 - VOBNOSP01
Project	Mirror

STATUS
Italian status symbol

100% made in Italy